

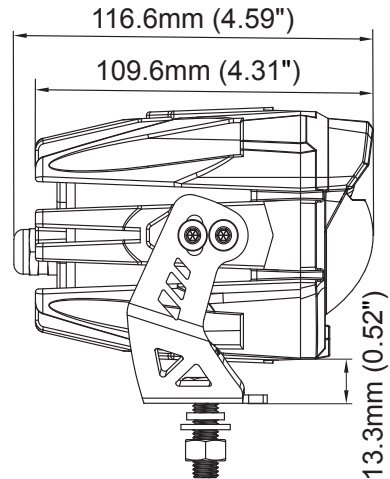
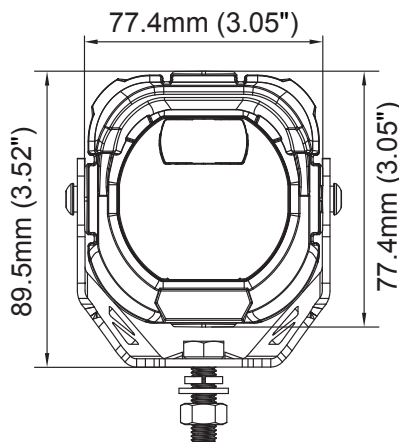
# SUPER BRIGHT 3 INCH BI-LED LIGHTS

## 1 PC / 2 PCS + HARNESS KIT

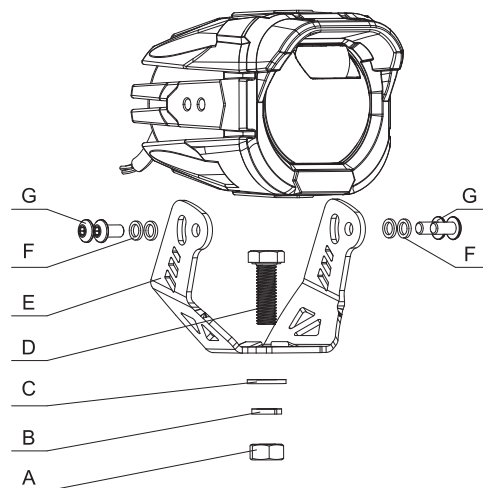
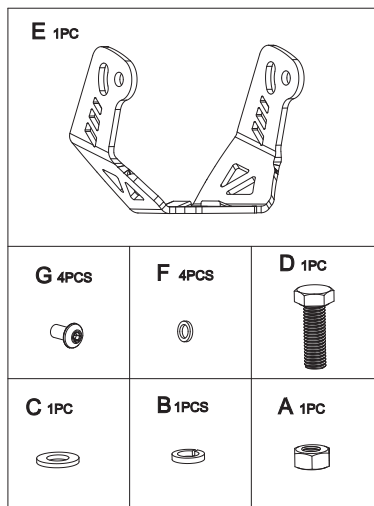
### FEATURES & SPECIFICATIONS:

Voltage: <b>9-15V DC,</b> <b>Low Beam 3.2A@13.2V</b> <b>Hi &amp; Lo Beam 4.8A@13.2V</b>	Light Source (Per Light): <b>1 X 46W LED + 1 X 12W LED</b>	Light Output (Per Light): <b>Low Beam 2400LM±10%</b> <b>Hi &amp; Lo Beam 3600LM±10%</b>
Power (Per Light): <b>Low Beam 45W±10%</b> <b>Hi &amp; Lo Beam 64W±10%</b>	Dimension (H,W, D): <b>3.52"x 3.05"x 4.59"</b>	Beam Pattern: <b>White Low Beam</b> <b>White Hi &amp; Lo beam</b>
WHAT'S INCLUDED(FOR 1 PC): <b>1 X LED Light</b> <b>1 X Bottom Mounting Bracket</b> <b>Mounting Hardware</b>		WHAT'S INCLUDED (FOR 2 PCS + HARNESS KIT): <b>2 X LED Lights</b> <b>2 X Bottom Mounting Bracket</b> <b>1 X Smart Harness with Controller + Switch</b> <b>Mounting Hardware</b>

### DIMENSIONS(MM/INCH):

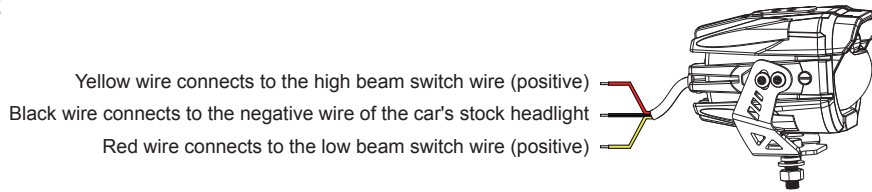


### MOUNTING BRACKET INSTALL INSTRUCTION:

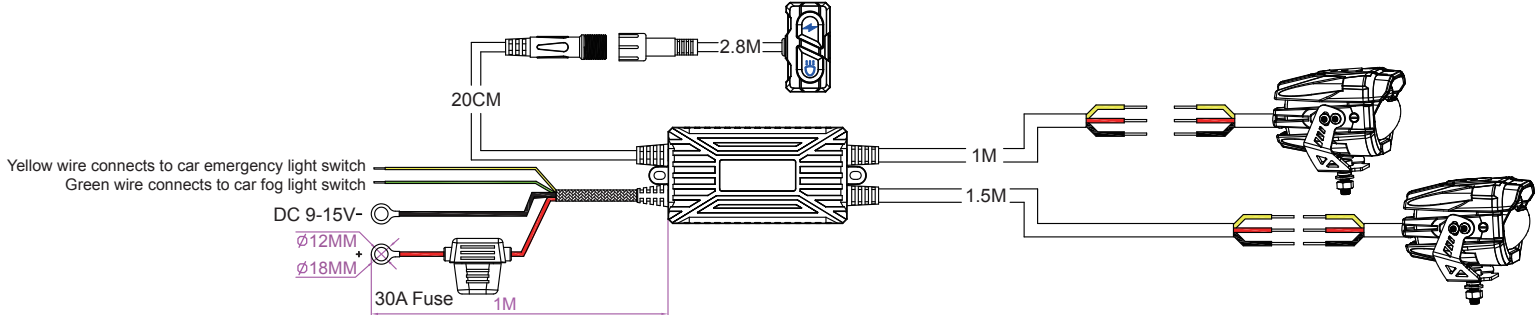


# INSTALL INSTRUCTION

## 1 PC VERSION:



## 2 PCS + HARNESS KIT VERSION:



### 1. Identify a suitable mounting location for the lights:

Choose a location on your vehicle's front bumper, grille, or roof where the lights can be securely mounted and will provide optimal illumination. (Point 2-5 and Point 8 are applicable to "2 pcs + harness kit" version)

### 2. Determine a suitable mounting location for the switch:

Choose a location on your vehicle's dashboard that allows for easy accessibility to the switch. Fix the switch with supplied accessories.

### 3. Route the wiring harness:

Carefully route the wiring harness from the lights to the vehicle's battery. Avoid sharp edges, hot surfaces, and moving parts that could damage the wiring.

### 4. Connect the wiring harness:

Connect the switch, wiring harness and the lights like photo shown above. Green and yellow wires' connection to the car fog / emergency light switch is optional based on usage requirements. Additionally, you have the flexibility to connect the wiring harness and light either with or without the provided male and female plugs.

### 5. Secure and insulate the connections:

Once all the connections are made, ensure they are securely fastened and insulated using electrical tape or heat shrink tubing. This prevents any loose connections and protects against short circuits.

### 6. Connect positive and negative wire properly:

### 7. Test the lights:

Press the switch to test if the lights are working properly.

### 8. How to control with the switch?

① is constant-on switch. Short press to turn on, another short press to switch to the next mode. Repeat in the following sequence:

Mode 1	2
LOW+HIGH BEAM ON	LOW BEAM ON

Long press to turn off the lights.

② is the strobe light switch for low beam. Short press to turn on, another short press to switch to the next mode. Repeat in the following sequence:

Mode 1	2	3	4	5
Hyper burst	Rapid strobe	Slow strobe	Staggered Sequential Burst	Alternating Rapid Burst

Long press to turn off the strobe lights.

③ Memory function: Pressing the buttons to turn on the light will recall last running mode.