

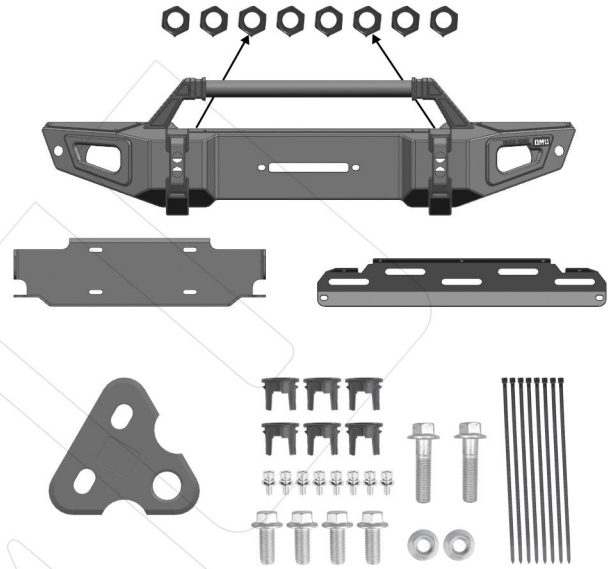
INSTALLATION INSTRUCTION

PRODUCT STRUCTURE

SKU: GFB-JW2-20273

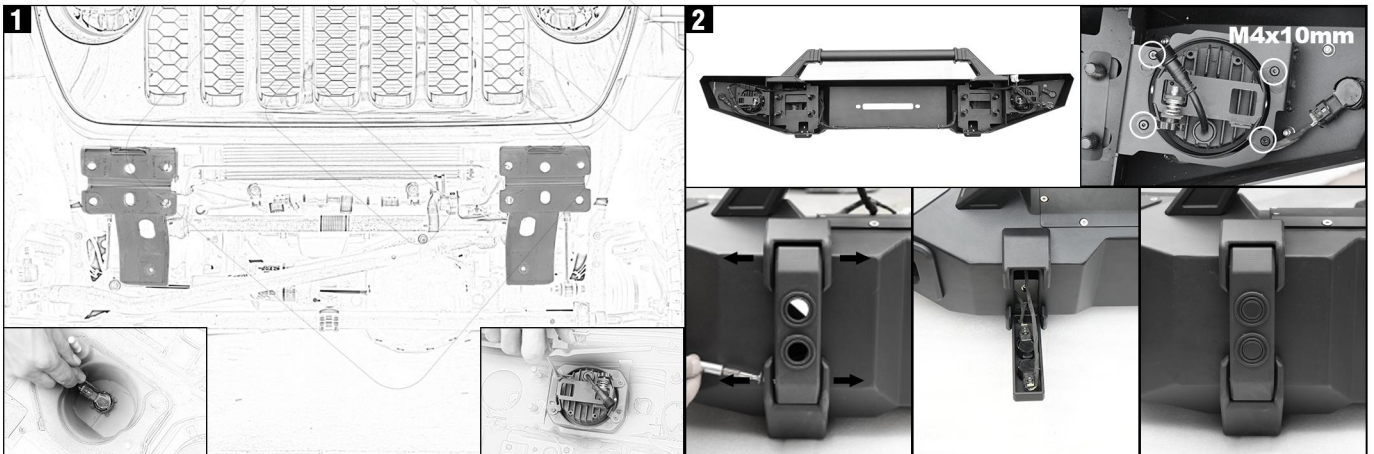
Genesis Series:
Front Bumper

PACKAGE LISTING	
1.Front bumper * 1	7.Cable tie * 8
2.Protective plate * 1	8.M4x10mm * 8
3.Winch bracket * 1	9.M10x40mm * 2
4.Trailer hook * 1	10.M10x25mm * 4
5.Radar case * 6	11.Nut M10 * 2
6.Nut M12 * 8	



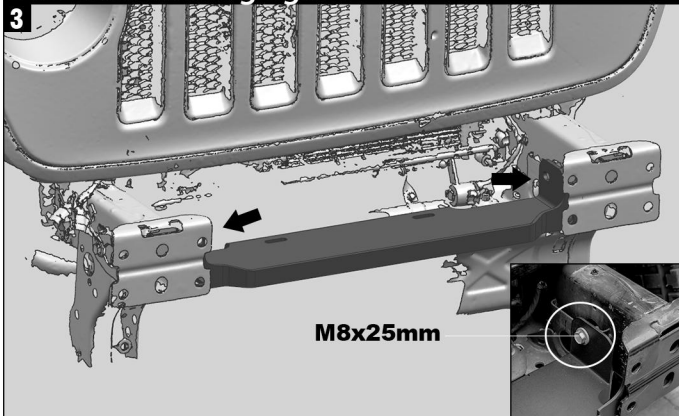
INSTALLATION DIRECTION

Compatible for Jeep Wrangler JL JT



1 First, remove the front bumper, then remove the radar and fog lights

2 Take out the new front bumper and install the radar. Use M4 screws for the fog lights

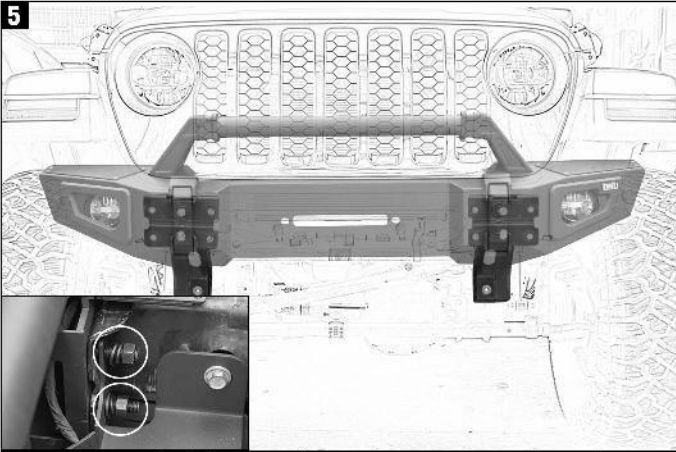


3 Install the winch bracket using the M10 short one as shown in the picture

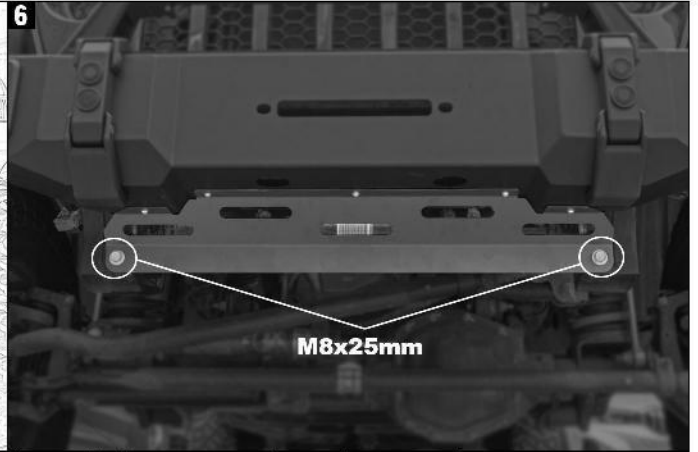


4 Radar wiring display

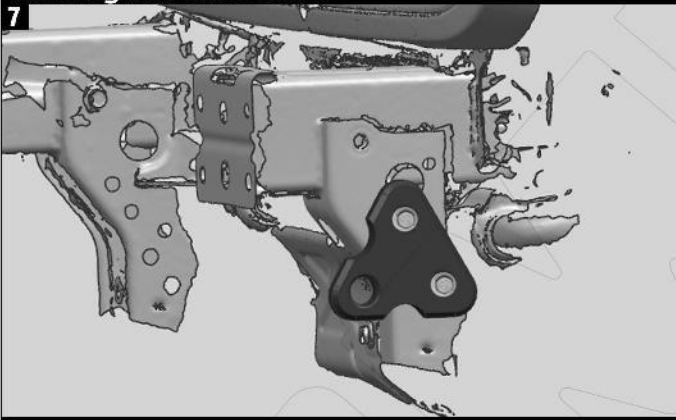
INSTALLATION INSTRUCTION



5
Two people lift the front bumper and tighten the original car screws



6
Install the protective plate as shown in the picture



7
Install the trailer hook as shown



8
Connect power



9
Installation completed